

OCS®Smart

BLUETOOTH LOCK



ojmar
SMART LOCKING



**SMARTPHONE
+ KEYPAD
OPERATION**

SIMPLE OPERATION. SMART MANAGEMENT.

The Bluetooth enabled OCS®Smart lock makes operating and managing your lockers convenient and safe. Use the waterproof keypad or go touch-free and access your locker with your phone- no more keys, cards or codes to manage.

It's that simple.



DATASHEET



**SMART
Design**



**SMART
Health**



**SMART
Security**



**SMART
Management**



**SMART
Use**



**SMART
Wireless**

SPECIFICATIONS

TECHNOLOGY



Authentication Method	Code & Bluetooth
Reading Distance	Up to 1m / 3ft (Between Phone & Lock)
Communication Standard	Bluetooth
Bluetooth OS	Android & iOS
Smart Apps	SMART User App SMART Maintenance App

ELECTRICAL

Batteries (Type / Quantity)	4 VARTA Type AA Alkaline Batteries
Battery Life	Up to 5 years at Room Temperature

MECHANICAL

Front Handle Dimensions	119 mm x 62 mm x 8 mm (4 5/8" x 2 7/16" x 5/16")
Weight	453g / 16oz (E-17.5 Long Screws)
Lock Strength	1000 N / 225lbs Pulling Force

ENVIRONMENTAL CONDITIONS

Temperature	From -10°C to 42°C / 14°F to 108°F (indoors)
Humidity	< 97 % (Non-condensing)
Protection	Impact - IK09 Water / Particulate Ingress - IP55

COMPATIBILITY

Door Material	Laminate / Glass / HPL Laminate / Metal / Melamine
Door Thickness	24mm
Door Handing	Non-handed

COLORS



SILVER



GRAPHITE



WHITE

FEATURES

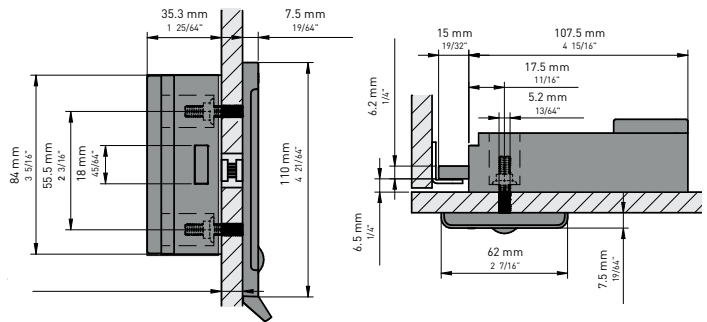
- Touchless Bluetooth + Keypad Operation
- Smartphone Apps (User & Manager)
- Wipe-clean Hygienic Touchpad
- Waterproof IP55 Rating
- Public and Private User Modes
- Easy, Cable-Free Installation
- Simple Integration: No Complicated Software
- SDK for (Optional) Integration with Your App
- Hi-Tech, Low-Profile Slimline Design

KEY MANAGER BENEFITS

- Program or update locks individually or by batch
- Assign digital master keys remotely to authorized Managers
- Audit report on lock activity and status
- Convenient Realtime lock battery status notification
- Can set locks to be User operated by mobile device or keypad
- Eliminate need for additional electronic keys to manage locks

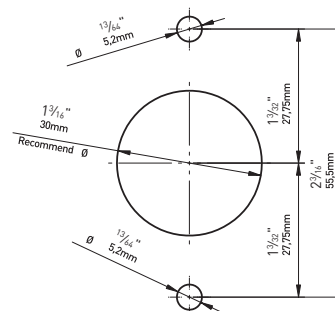
KEY USER BENEFITS

- Never forget locker number - stored on User mobile device when locker selected
- Never need or forget code. Mobile device paired with lock will open lock and stores digital code if required.
- Hygienic, crevice free keypad



SIDE VIEW

TOP VIEW



FIXING TEMPLATE