

OCS®Pro

TOUCH KEYPAD LOCK



THE LOCKER LOCK WITH TOUCH TECHNOLOGY

ojmar
SMART LOCKING



**ENHANCED FEATURES,
WITH FUNCTION + STYLE.**

The OCS®PRO has become the standard in locker and enclosure locking solutions; delivering quality, style, performance, durability and reliability to every opening.

DATASHEET

SPECIFICATIONS

ELECTRICAL

Power Supply	4 Alkaline 1.5v AA batteries
Battery Life	Up to 5 years

ENVIRONMENTAL CONDITIONS

Temperature	From -10°C to 42°C / 14°F to 108°F
Protection	Impact - IK09 Water / Particulate Ingress - IP56

KEYPAD PROGRAMMING

This is the default method to program the locks.
Via the keypad the OCS@PRO can, using the Master code:

- Set Public or Private mode.
- Change the Master code.
- Change the User code.
- Activate / deactivate sounder.
- Activate / deactivate signal LED.
- Change User code length: 4,5,6 digits.
- Set duration of use (Public mode lockers).

EKEY + SOFTWARE

Optional EKEY + Software can be supplied to quickly electronically program the locks and adds additional features as follow:

- **Set Rental Period** – Lock can be set to defined rental period e.g. 1 hour, 8 hours or expiry date (assigned mode).
- **Auto Open** – Locks can be set to auto open eg at end of day for cleaning or maintenance.
- **Audit Trail** – A list of last events and uses for different purposes.

EKEY

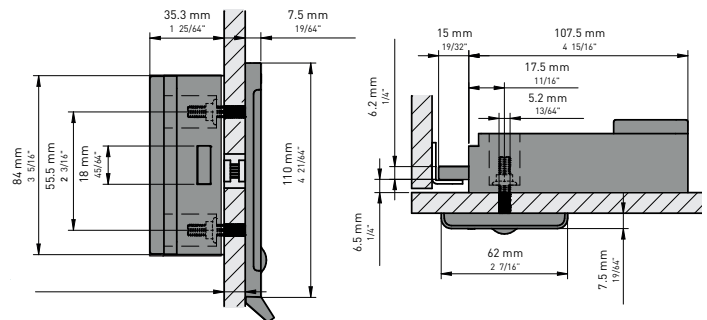
An optional EKEY can be provided to open/close the locks as a master key if required or as ada key. It also adds a cloning feature.

Program from one lock can be downloaded to multiple locks saving time on set up and reprogramming multiple locks.

Multifunction EKEY can be configured as:
Master Key, Audit Key, Programming Key and ADA Key.

FEATURES & BENEFITS

- **Touch Keypad** – More durable than traditional push button keypads.
- **Extended Battery Life** – Up to 5 years.
- **Flexible** – Lock can be switched between Public and Private mode.
- **Easy Programming** – By Keypad or EKey + Software (option).*
- **Easy Clean** – Hygienic, wipe clean keypad surface.
- **Sleek Design** – With integrated handle (non handle option available).
- **Rated IP56** – High level resistance to water and dust.
- **Finishes** – Available in 3 finishes; Silver, Graphite, White.
- **Low Battery Warning** – Low battery indicator.
- **Battery Override** – External power override for emergency opening.
- **Tamper Time Out Feature** – Lock will time out after 3 incorrect code entries for 30 seconds.

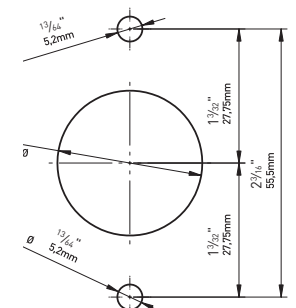


SIDE VIEW

TOP VIEW



EKEY



FIXING TEMPLATE