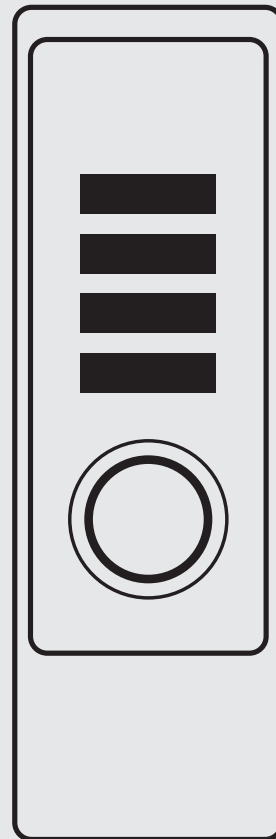


# LOCKR COMBI

LOCK 8001

ASSEMBLY INSTRUCTIONS

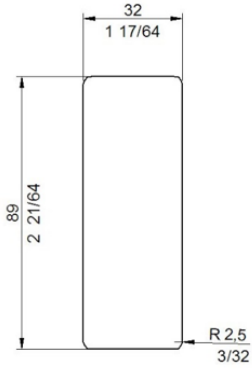
V.03



## ASSEMBLY

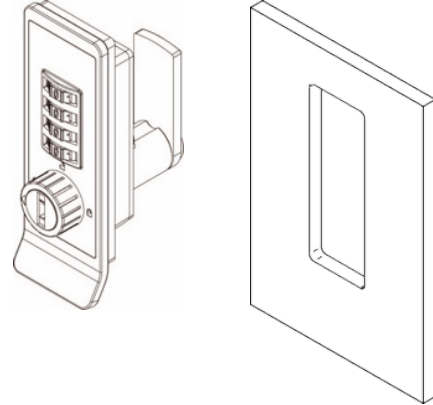
1.

Mark position of cut out on door, ensuring that cam in locked position will fit into keep or strike plate of door frame. Cut out door as dimensioned below. Cut must be clean and smooth free from burrs.



2.

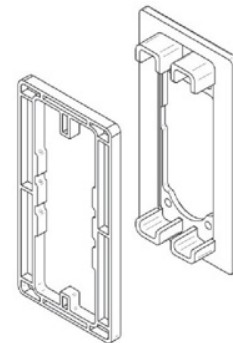
Position the handle frame onto the lock from the rear. Insert the lock together with handle into the door cut out. See diagram below:



3.

The lock is supplied with fixing screws that will allow the lock to be fitted to doors between 12mm (15/32") and 22mm (7/8"). If doors are thinner than 12 mm (15/32»), plater must be supplied (sold separately).

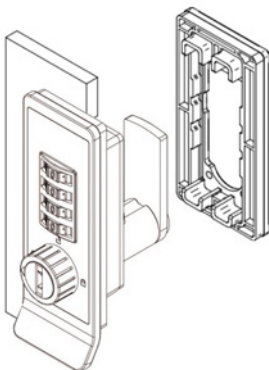
Door Thickness	Necessary plate
1 mm (3/64")	5 mm (13/64") y 10 mm (3/8")
2 mm (5/65") to 6 mm (15/64")	10 mm (3/8")
7 mm (9/32") to 11 mm (7/16")	5 mm (13/64")
12 mm (15/32") to 22 mm (7/8")	0



Plate

4.

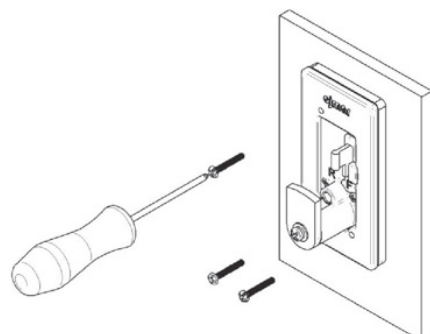
Fit lock to door, placing fixing plate onto the inside of the door. See diagram below:



5.

Secure the lock to the door using correct length fixing M3 screws from inside of the door. See diagram below:

Do not overtighten, max torque of 150 Ncm, 111ftlbs.

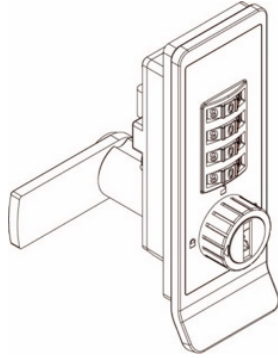


# HOW TO CONVERT A RIGHT HAND (RH) LOCK TO A LEFT HAND LOCK (LH).

## IMPORTANT!

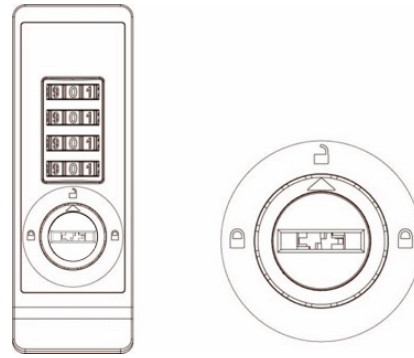
Please note all locks are supplied as standard as RH. (See diagram below) If LH locks are required please change hand before fitting. Before converting to a LH lock please ensure key cylinder is inserted.

Right Hand Lock (RH)



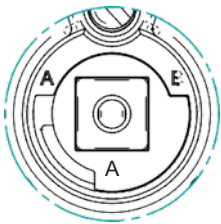
## 1.

Ensure that the lock is in the open position with the cam and the blue indicator in the unlocked position. See diagram below:

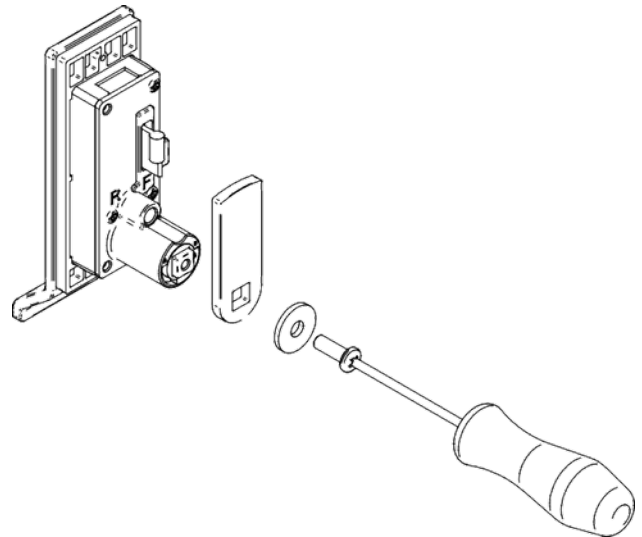


## 2.

Unscrew the fixing screw from the cam, removing both the cam and washer. Do not turn. Please note position of end cap. See diagram below:

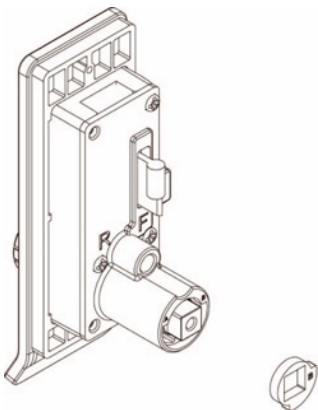


Note position of end cap in place for RH operation



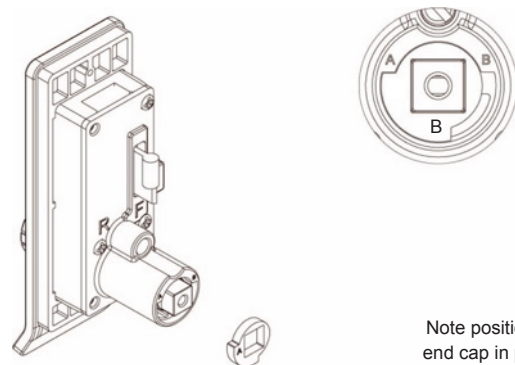
## 3.

Remove end cap.



## 4.

Turn end cap horizontally 180° and replace. Please note position of end cap. See diagram below:



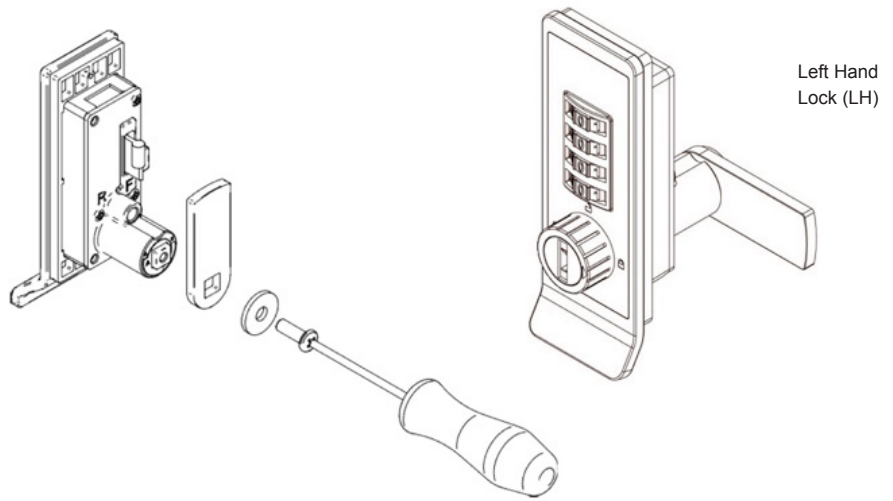
Note position of end cap in place for LH operation

## HOW TO CONVERT A RIGHT HAND (RH) LOCK TO A LEFT HAND LOCK (LH).

---

5.

Refit cam and washer in the open vertical position. The lock will now work for LH operation. See diagram below:





INTELLIGENT LOCKING SYSTEMS

CONTACT  
sales@ojmar.com  
+34.943.748.484

OJMAR HQ  
Polígono Industrial de Lerun  
20870 Elgoibar - SPAIN

OJMAR USA  
17155 Von Karman Ave, S111  
Irvine CA. 92614 - USA

[www.ojmar.com](http://www.ojmar.com)