



INTELLIGENT LOCKING SYSTEMS



COMBI PRO

PREMIER – MECHANICAL LOCKER LOCK

**The Combi Pro is the logical step up from traditional
cams and hasps to secure lockers.**

The **COMBI PRO** allows the use of and convenience of codes to manage locker access by end users and managers. The **COMBI PRO** removes the need to manage multiple keys or padlocks in the traditional locker environment, saving time on issuing keys, replacing keys or removing padlocks when required. The **COMBI PRO** with its flush mounted contemporary design combines the simplicity of a mechanical lock with many features normally only found in an electronic lock.



Silver



Black



White



MAIN FEATURES & BENEFITS

- **Non Handed** – Lock fits LH or RH doors.
- **Key free operation** – No need to manage or issue keys to open lock.
- **Public or Private mode** – Lock can be assigned for shared or personal use.
- **Integrated code finder** – Management can recover lost code and reset lock if required.
- **Lock status indicator** – Visually identifies if locker is free or occupied.
- **Integrated pull handle** – Facilitates easy door opening (flush no handle option available).
- **Low maintenance** – Robust mechanism, no batteries required.
- **ADA options** – Accessories available to assist ADA users.
- **Key override** – Management ability to override all codes with master key.
- **Interchangeable key cores** – Giving ultimate management key control should a key be lost or compromised. Cores are supplied keyed alike. **Note: cores are interchangeable with Ojmar electronic Prisma lock.*



MODES & OPERATION

Management can set locks into one of two modes as follows:

Public mode – In this mode the locker can be shared by multiple users, one at a time. Each using their own 4 digit code to lock and unlock.

Private mode – In this mode the Locker can only be opened and locked by the same 4 digit code every time.

To operate locks:

To lock:

- > With lock in open position turn dials to required 4 digit code – remember the code!
- > Turn knob to closed position and scramble code. Lock is now locked.

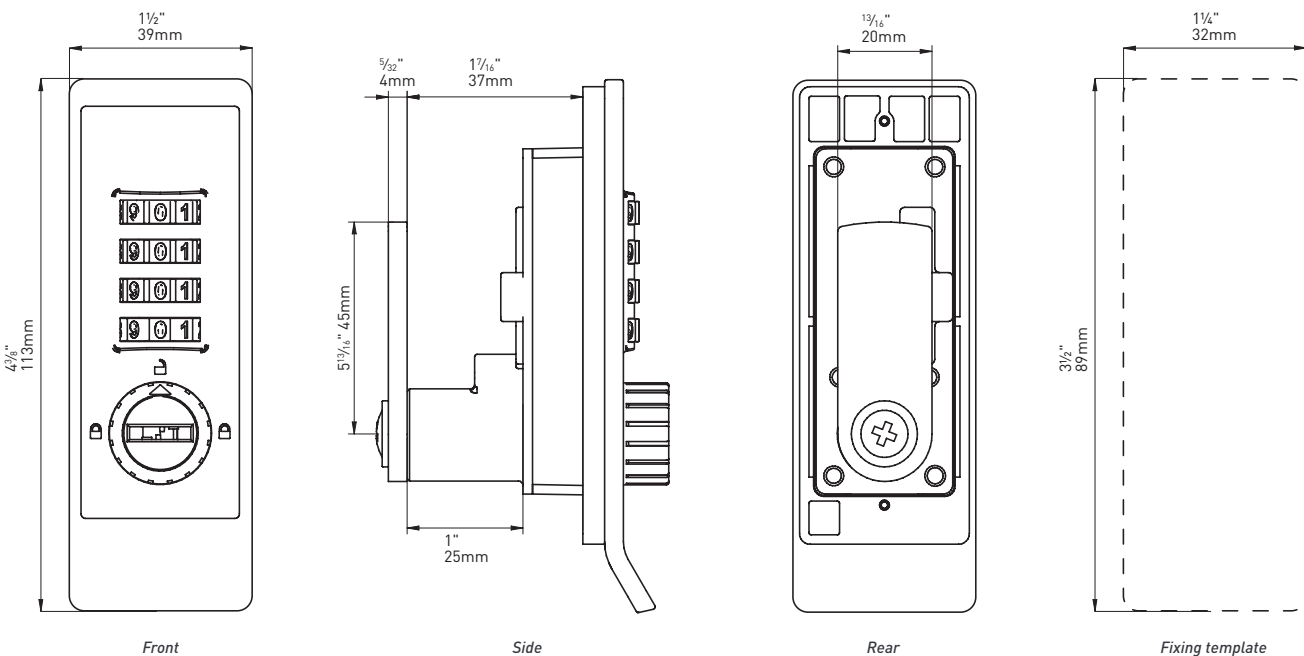
To unlock:

- > With lock in closed position turn dial to previously selected 4 digit code.
- > Turn knob to open position. Lock is now open.

TECHNICAL SPECIFICATION

| | |
|----------------------------|--|
| Construction | > Solid cast Zamac body |
| Ip rating | > IP65 (Suitable for wet and dry areas) |
| Spindle | > Standard 8mm, 5/16" square |
| Material | > Strong durable die cast Zamac |
| Door thickness | > Accommodates doors from 1mm, 1/32" to 20mm, 3/4" thick (for thicker doors contact Ojmar) |
| Color | > Black standard with optional handle colors – Black, White, Silver |
| Handing | > Non handed, suitable for RH or LH doors |
| Master Key override | > High security key with 1,400 combinations |
| Code combinations | > 10,000 possible code combinations |

TECHNICAL DRAWING



INTELLIGENT LOCKING SYSTEMS

CONTACT
E. salesus@ojmar.com
T. 949 419 6776

OJMAR USA
17155 Von Karmen Ave, S111
Irvine CA. 92614 - USA

WEBSITE
www.ojmar.us

DOCUMENT REF: 03/20