

# LOCKR®

## COIN AND CARD LOCKS



### USER AND MAINTENANCE MANUAL

V2.0



**ojmar®**

INTELLIGENT LOCKING SYSTEMS

- GENERAL NOTES AND INSTRUCTIONS OF USE ..... 2**
- 1. MOUNTING THE LOCK ..... 3**
  - 1.1. FIXING HOLES..... 3**
  - 1.2. FASTENING SCREWS ..... 4**
  - 1.3. LOCK MAINTENANCE ..... 5**
- 2. COIN LOCKS ..... 6**
  - 2.1. COIN LOCKS FOR DRY ENVIRONMENTS ..... 6**
    - 2.1.1. Mounting the cylinder ..... 7
    - 2.1.2. Master key ..... 8
    - 2.1.3. Remove key..... 9
    - 2.1.4. Troubleshooting ..... 10
  - 2.2. COIN LOCKS FOR HUMID ENVIRONMENTS ..... 11**
    - 2.2.1. Mounting the cylinder ..... 12
    - 2.2.2. Penalty key..... 14
    - 2.2.4. Troubleshooting ..... 16
  - 2.3. INSTRUCTIONS FOR LOCKING THE COIN LOCK..... 18**
  - 2.4. INSTRUCTIONS FOR OPENING THE COIN LOCK ..... 19**
  - 2.5. COIN LOCK DEPOSIT BOX..... 20**
    - 2.5.1. Mounting..... 20
- 3. CARD OR CARD/COIN LOCKS ..... 22**
  - 3.1. CARD OR CARD/COIN LOCKS FOR DRY ENVIRONMENTS ..... 22**
  - 3.2. CARD OR CARD/COIN LOCKS FOR HUMID ENVIRONMENTS ..... 23**
  - 3.3. INSTRUCTIONS FOR LOCKING THE CARD OR CARD/COIN LOCK..... 24**
  - 3.4 INSTRUCTIONS TO OPEN THE CARD LOCK OR CARD/COIN LOCK..... 25**
- 4. WRISTBANDS ..... 26**
- .....

# GENERAL NOTES AND INSTRUCTIONS OF USE

---

Please follow the rules below to ensure the correct working order of our product in your facility:

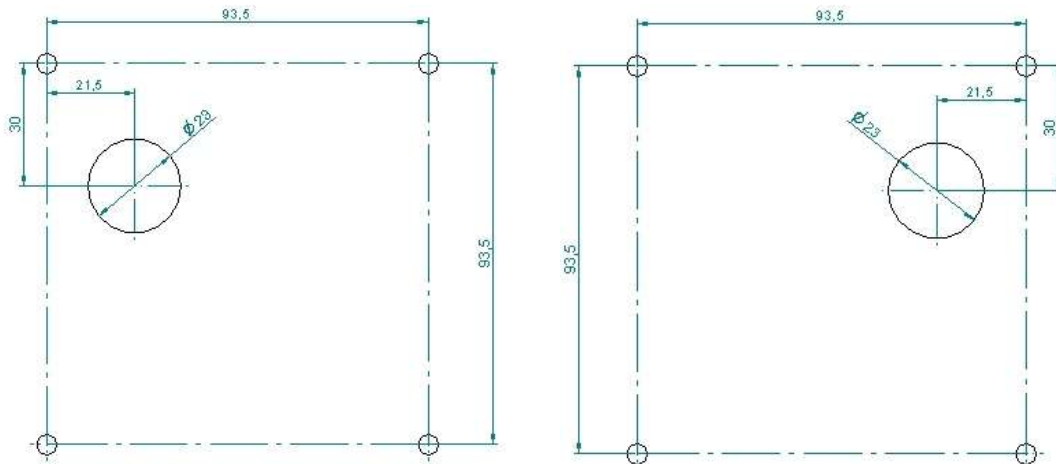
1. The installation and use of the purchased product must comply with the technical operating conditions described in this manual.
2. Where not specifically indicated, customers are responsible for the appropriate installation or use of the application.
3. On reception of the product, immediately inspect the packaging and material to detect any signs of damage. Also verify that the delivery is complete (accessories, documents, etc.).
4. If the packaging has been damaged during transport or possible damage or malfunction is suspected, the product should not be put into service. Please contact us in this case.
5. Our products must be installed and handled by authorised personnel.
6. It is forbidden to make any replacements or remove the protective covers.
7. If the product malfunctions or is damaged, do not attempt to repair it and put it into service again. You must contact us in these cases.
8. Safekeeping and control of duplicated keys, master keys, remove keys and penalty keys are the responsibility of the Centre/Facility.
9. No responsibility will be accepted for damage caused as a result of misuse.

# 1. MOUNTING THE LOCK

## 1.1. FIXING HOLES

In all lock versions, the fixing holes are always the same for both humid and dry ambient conditions, with the sole exception of whether it is a left side or right side lock. The main fixing hole is  $\varnothing 23$ mm, with M5 fastening screws or equivalent, depending on the surface on which the lock is anchored (see tightening screws).

The dimensions and distances of the fixing holes for the left and right side locks are listed below. All measurements that appear in this manual are in millimetres (mm):



RIGHT SIDE LOCK FIXING HOLES

LEFT SIDE LOCK FIXING HOLES

## 1.2. FASTENING SCREWS

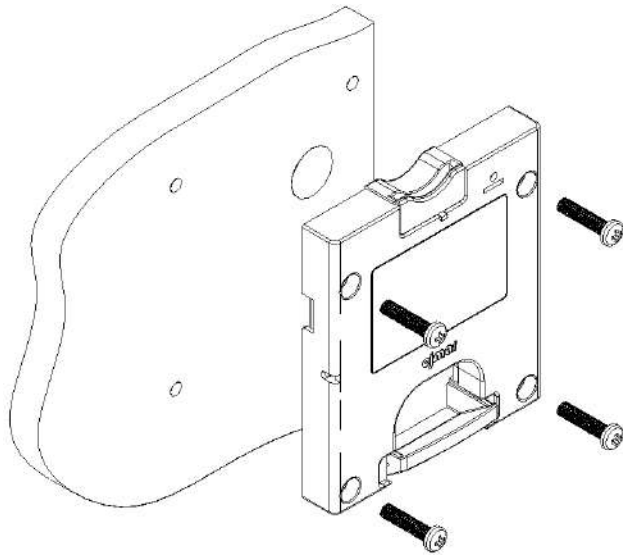
Maximum torque: 150 N Cm

The door surface must not be damaged or warped in any way.

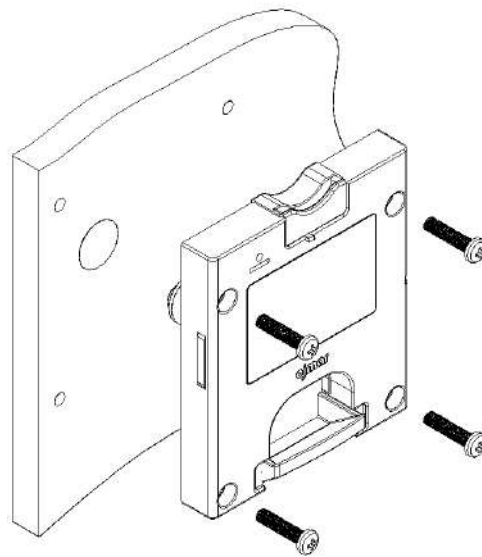
The recommended screws are as follows (depending on the surface):

### COIN LOCKS

- **DIN 7985 M5** screws are recommended for phenolic furniture.
- Pan head screws for wood with  $\varnothing 5$  thread are recommended for wooden furniture.
- **DIN 7981  $\varnothing 4.8$  screws for metal are recommended for metal furniture.**



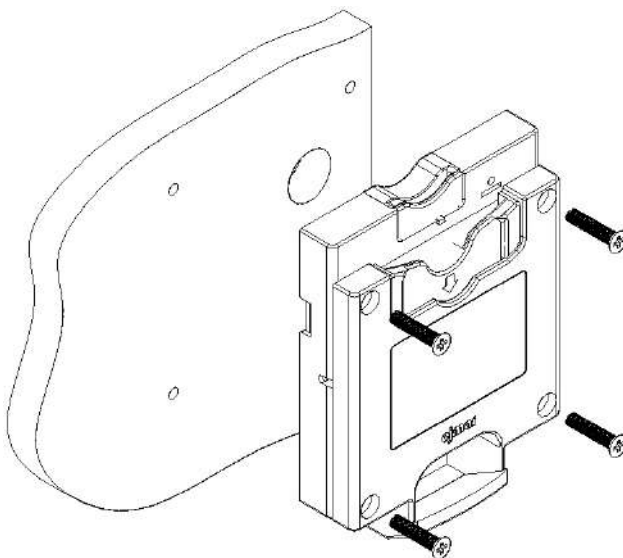
MOUNTING THE RIGHT SIDE COIN LOCK



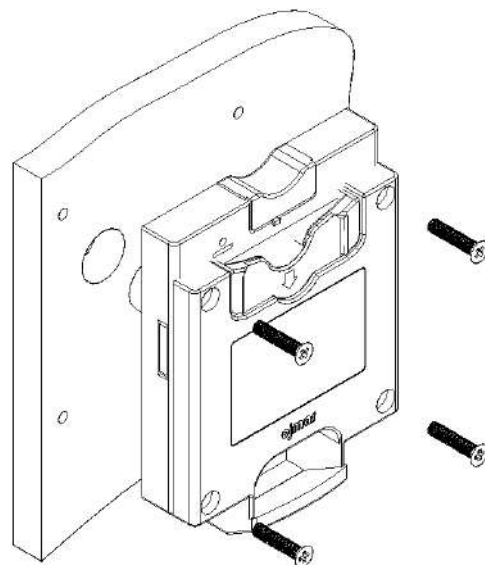
MOUNTING THE LEFT SIDE COIN LOCK

### CARD LOCKS

- **DIN 965 M5** screws are recommended for phenolic furniture.
- Flat head  $\varnothing 5$  screws are recommended for wooden furniture.
- **DIN 7982  $\varnothing 4.8$  screws for metal are recommended for metal furniture.**



MOUNTING THE RIGHT SIDE CARD LOCK



MOUNTING THE LEFT SIDE CARD LOCK

(\* ) The length of the screw can vary, depending on the thickness of the door where the lock is placed.

### 1.3. LOCK MAINTENANCE

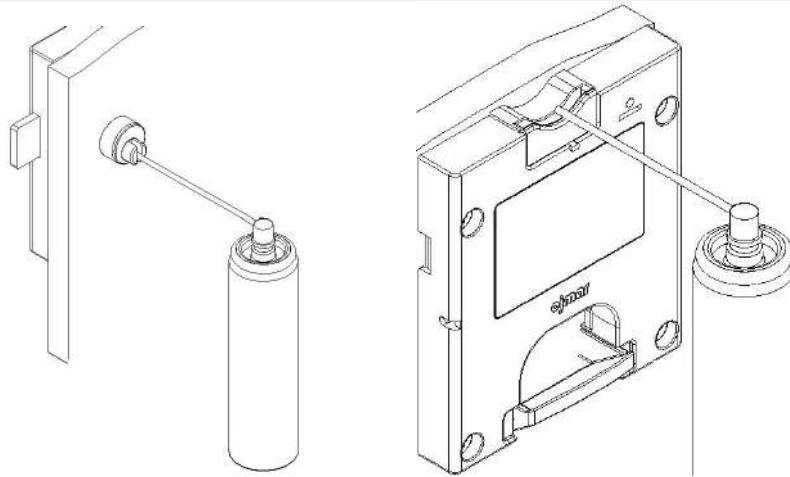
Although our locks are especially designed and manufactured for continuous use in humid environments, they require maintenance to ensure that they are not affected by corrosive substances that can accelerate wear.

We recommend using our special lubricating spray for locks. Ref. 49.C0045SB.

#### CAUTION

Do not use lubricants that contain graphite, grease or oily substances under any circumstances. This could result in the lock seizing and jamming.

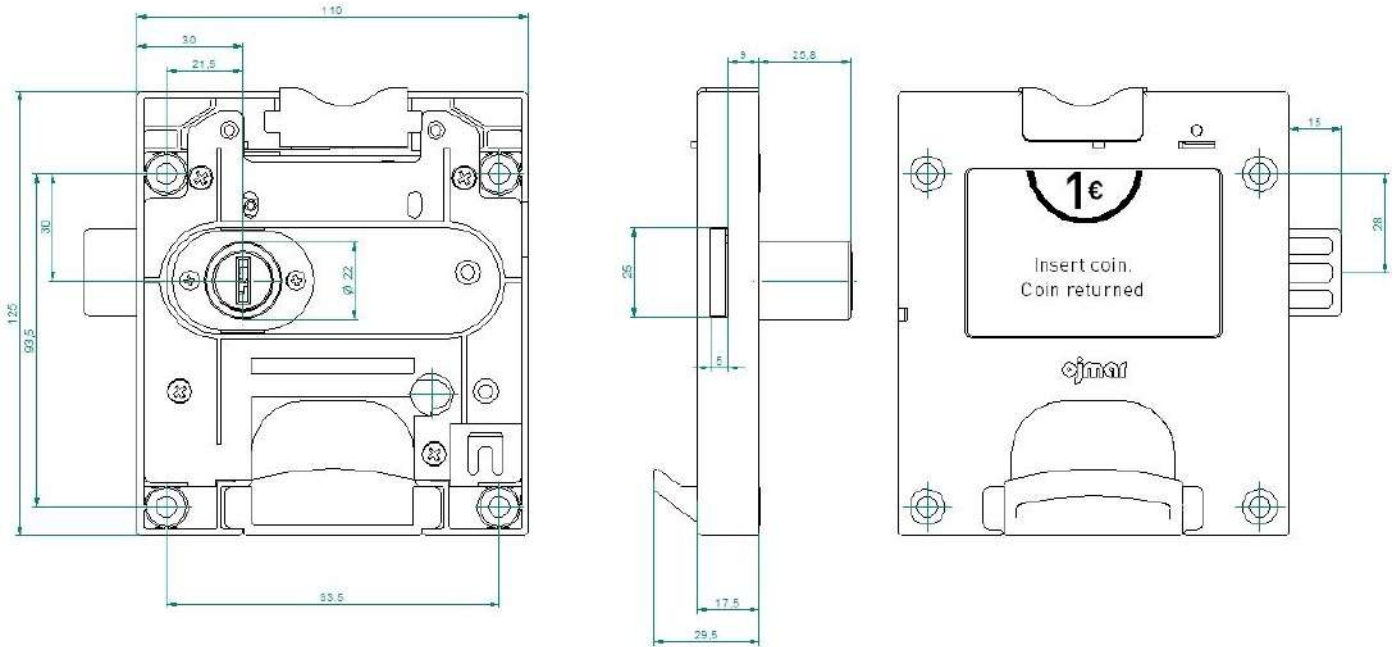
Apply the Ojmar lubricant spray, as shown in the illustration, at least once every 3 months.



## 2. COIN LOCKS

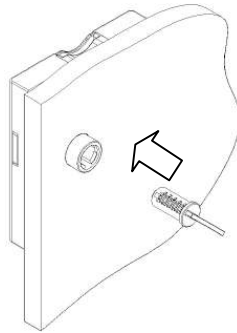
### 2.1. COIN LOCKS FOR DRY ENVIRONMENTS

Coin lock model 74 is ideal for group facilities in dry environments, such as gyms, malls, schools, etc. It is an easy, solid and reliable solution, provided with an interchangeable 10-plate cylinder and reversible key.

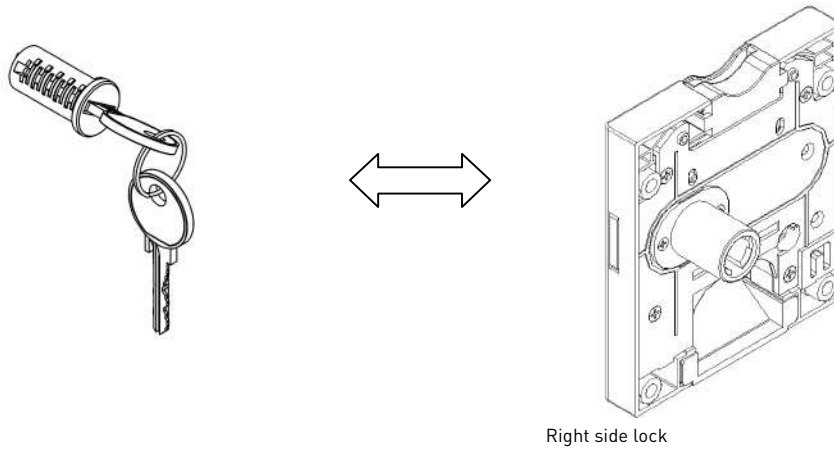


### 2.1.1. Mounting the cylinder

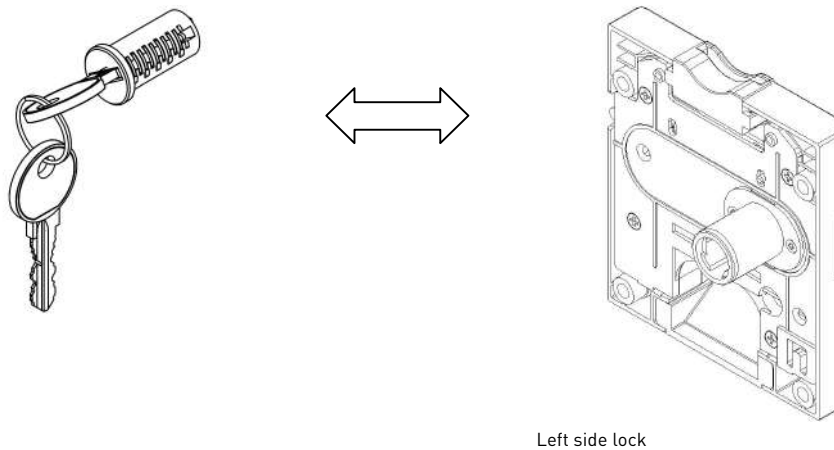
Once the lock is installed on the locker door, insert the cylinder. Insert the cylinder with its user key.



The cylinders can be coupled to both right side and left side locks.

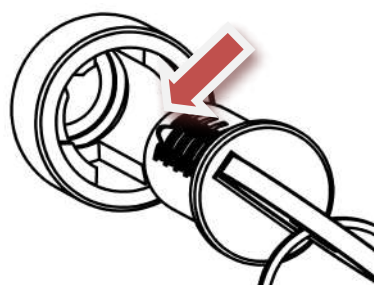


Right side lock



Left side lock

The cylinders must be mounted correctly; to do so, ensure that the peak of the last cylinder plate coincides with the groove of the cylinder lock.



Inserting the cylinder in the right side lock



Inserting the cylinder in the left side lock



### 2.1.2. Master key

The master key opens and closes locks belonging to the same group or series (like the user key). The master key is used to open a locker if a key has been lost, so the customer can be attended to immediately.

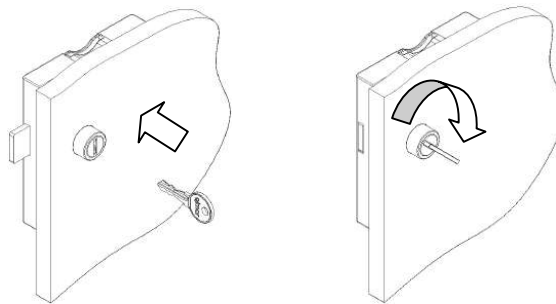


The letter W in the key number indicates that it is a master key.

If a user key is lost or missing, it is recommended to change the cylinder as a security measure to prevent theft or inappropriate use. (See remove key).

#### STEPS FOR THE PROPER USE OF THE MASTER KEY.

1. Insert the master key.
2. Turn the key.



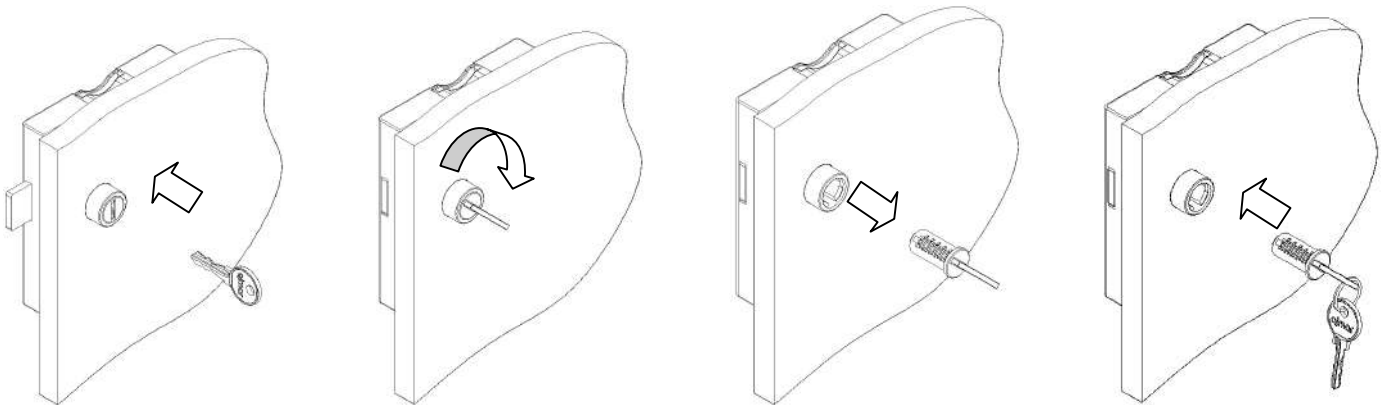
### 2.1.3. Remove key

The remove key is used to remove the cylinder from a lock.



The 2W digit in the key number indicates that the key is a remove key.

If a user loses a key, the cylinder should be removed immediately as a security measure. Never use a copy of the key if it is lost.

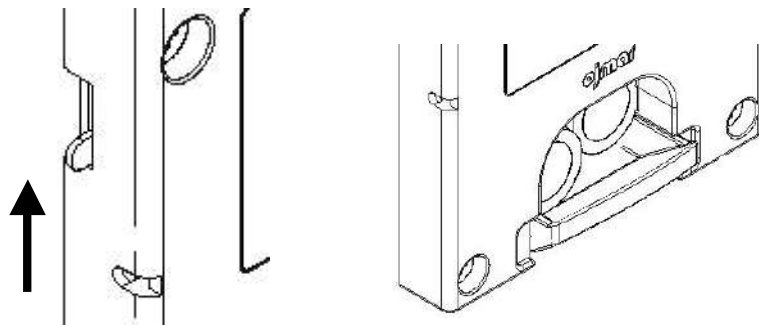


#### **STEPS TO FOLLOW FOR THE CORRECT USE OF THE REMOVE KEY.**

1. Insert the remove key.
2. Turn the key.
3. Extract the cylinder and remove it.
4. Insert a new cylinder with a user key.

## 2.1.4. Troubleshooting

Description / Symptom	Possible Cause	Solution
The lock does not close completely	Poorly mounted	Please check that the lock has been mounted according to the drawing. (See pages 5 and 6)
The cylinder does not fit in the lock.	The cylinder is not inserted correctly.	Check that the cylinder is inserted with its key and in the correct position.
Mechanism blocked.	More than one coin. Wrong coin. External elements.	Use the coin return button as shown in the illustration below and remove the coins.

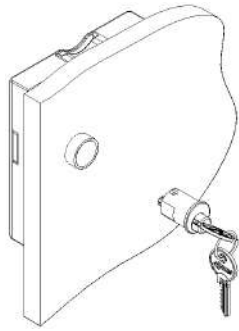


Description / Symptom	Possible Cause	Solution
The master key or the remove key does not work.	The number of the master key or remove key does not match the assigned number.	Verify that the master key or remove key number matches the assigned number.
	Key damaged	Check whether the key is bent or for signs of breaks.
	Foreign matter in the cylinder.	Lubricate the cylinder and remove any foreign matter.
The user key does not work.	The key does not match the cylinder.	Make sure the key is being inserted in its corresponding cylinder.
	Key damaged (vandalism)	Check whether the key has been bent or broken at any point and replace it.

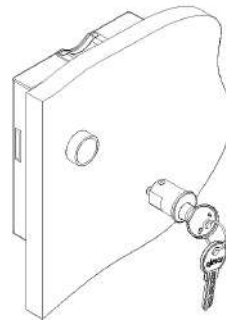


## 2.2.1. Mounting the cylinder

Insert the lock cylinder after installing the lock on the locker door. Insert the lock cylinder with the user key in place.



Model 75 (standard key)



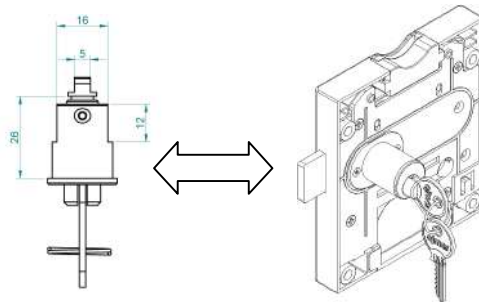
Model 76 (drilled key)

### CAUTION

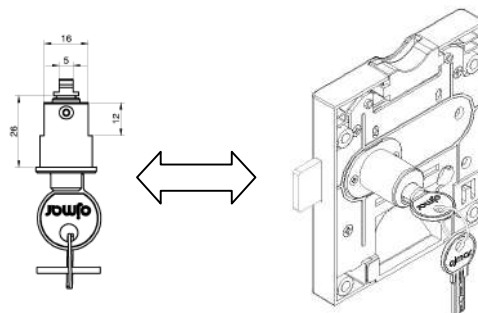
Never insert the lock cylinder with the penalty key or remove key inserted; this can cause critical internal components to break and result in lock malfunction.

**THE RIGHT SIDE LOCK CYLINDERS CAN ONLY BE COUPLED INTO RIGHT SIDE LOCKS.**

### MODEL 75 RIGHT SIDE (STANDARD)

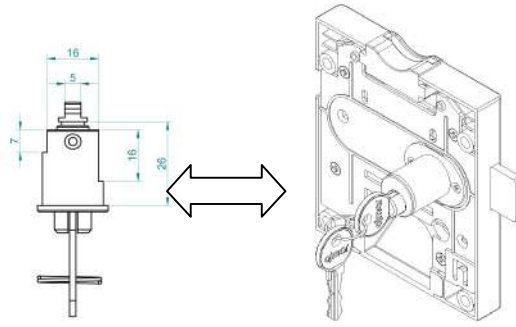


### MODEL 76 RIGHT SIDE (DRILLED)

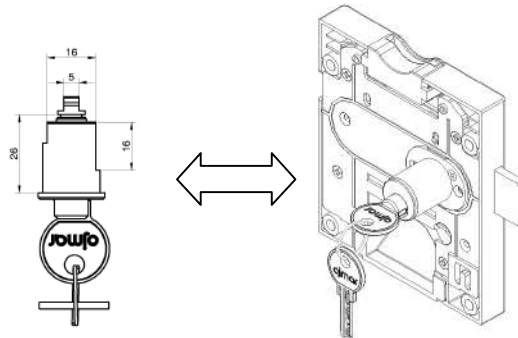


**THE LEFT SIDE LOCK CYLINDERS CAN ONLY BE COUPLED INTO LEFT SIDE LOCKS.**

**MODEL 75 LEFT SIDE (STANDARD)**

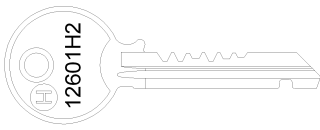


**MODEL 76 LEFT SIDE (DRILLED)**

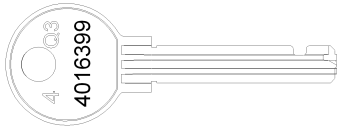


## 2.2.2. Penalty key

The penalty key opens and closes locks belonging to the same group or series, without having to insert a coin.



**Penalty key (Model 75 standard).** The H2 digits in the key number indicate that the key is a penalty key.



**Penalty key (Model 76 drilled).** The 4 Q3 digits indicate that the key is a penalty key.

If the user key is lost or missing, the lock cylinder must be changed as a security measure (See remove key).

The penalty key has the following uses and applications:

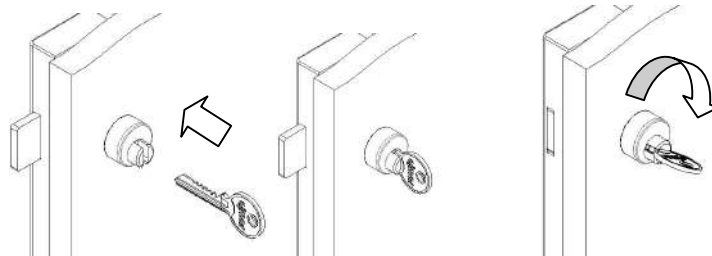
- Opening a locker

If the user key is lost, the customer can be attended to immediately.

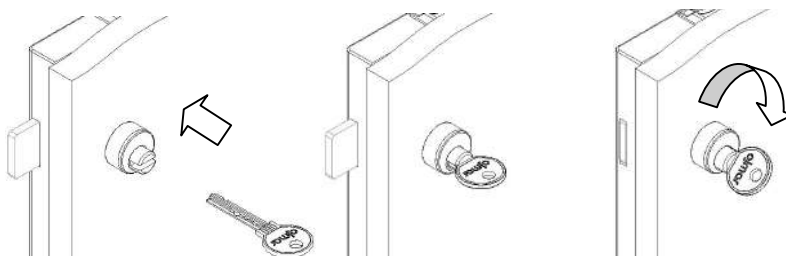
- Customer penalty for inappropriate locker reservation.

A common problem in group facilities is that users reserve or occupy lockers inappropriately by leaving the locker closed and taking the key. Our penalty key works without having to insert a coin; therefore, when an inappropriate reservation is detected, the locker can be opened, the coin removed and the locker locked again. Thus, individuals who reserve lockers will lose their coins.

### MODEL 75



### MODEL 76



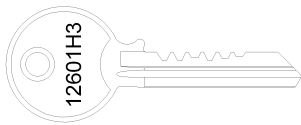
### STEPS TO TAKE FOR THE CORRECT USE OF THE PENALTY KEY

1. Insert the master key with the machined side facing upward (See illustration).
2. Turn the key.

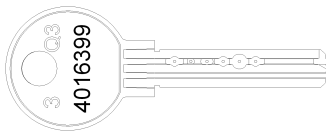
### 2.2.3 Remove key

The remove key is used to extract a lock cylinder from a lock.

If a user key is lost, the lock cylinder should be removed immediately as a security measure. Never use a copy of the key if it is lost.

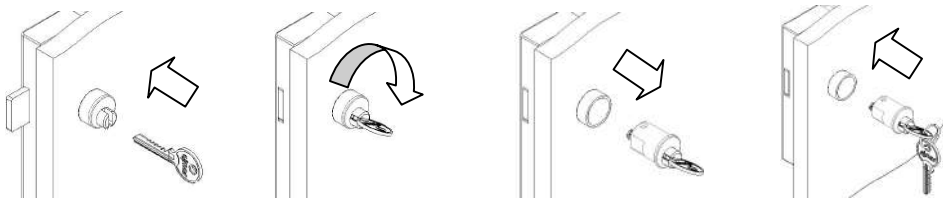


**Standard remove key (Model 75).** The digits H3 in the key number indicate that it is a remove key.

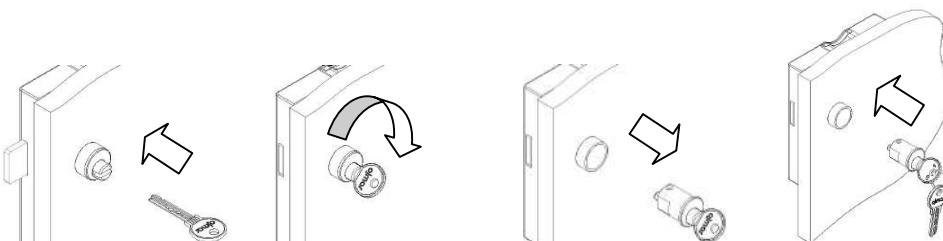


**Drilled remove key (Model 76).** The digits 3 Q3 indicate that it is a remove key.

#### MODEL 75



#### MODEL 76



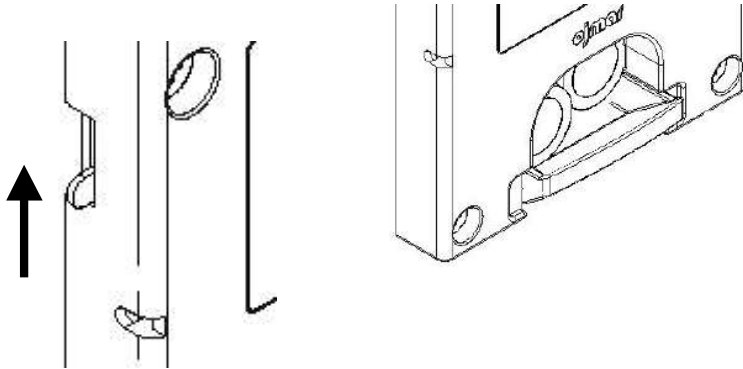
#### STEPS TO FOLLOW FOR THE CORRECT USE OF THE REMOVE KEY.

1. Insert the remove key.
2. Turn the key.
3. Extract the lock cylinder and remove it.
4. Insert the new lock cylinder with a user key.



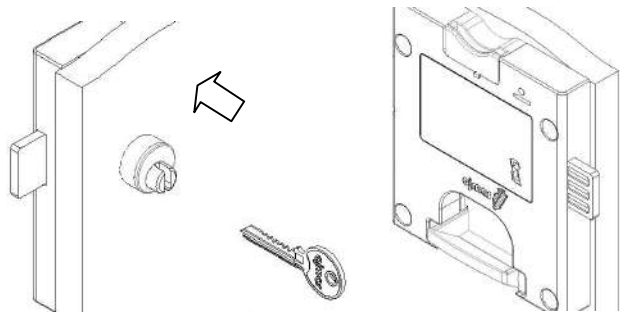
## 2.2.4. Troubleshooting

Description / Symptom	Possible Cause	Solution
The lock does not close completely	Poorly mounted	Please check that it has been mounted according to the drawing (See pages 5 and 13).
The lock cylinder does not fit into the lock.	The lock cylinder is being inserted with the remove key or the penalty key in place.	Make sure the lock cylinder is being inserted with its user key and the side (left or right) matches the side of the lock.
	Wrong lock cylinder.	
Mechanism blocked.	More than one coin.	Use the coin return button as shown in the illustration below.
	Wrong coin.	
	External elements.	



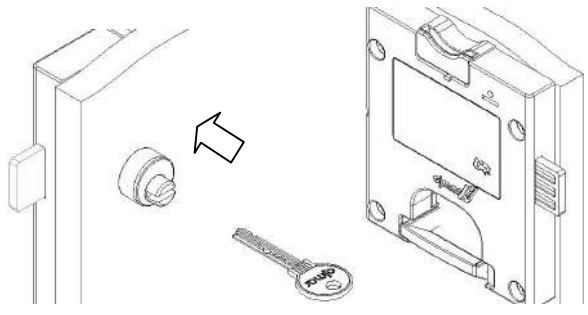
Description / Symptom	Possible Cause	Solution
The penalty key or remove key does not work.	The number of the penalty key or remove key does not match the assigned number.	Make sure that the number of the penalty key or remove key matches the assigned number.
	Key damaged.	Check whether the key is bent or for signs of breaks.
	Foreign matter in the lock cylinder.	Lubricate the lock cylinder and remove the foreign matter.
The user key does not work.	Incorrect key number.	Check the key number.
	Key damaged (vandalism).	Check whether the key has been bent or broken at any point and replace it.
User key broken in the lock cylinder (closed in lock position).	Vandalism.	Push the broken key through the lock cylinder using the penalty key, as shown in the illustration below. Replace the key.

**MODEL 75**



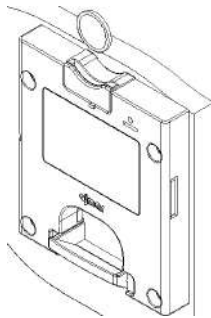
When the penalty key is inserted, the parts of the broken key are pushed out through the adhesive at the rear of the lock.

**MODEL 76**

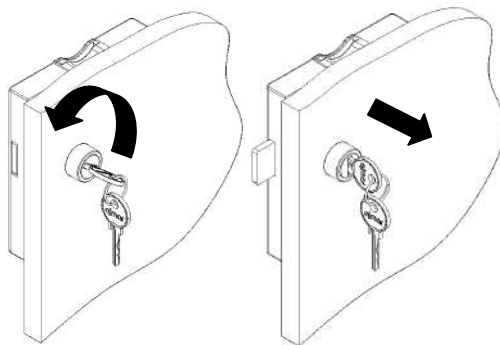


## 2.3. INSTRUCTIONS FOR LOCKING THE COIN LOCK

- Open the door.  
Open the door to access the rear of the lock.
- Insert a coin in the lock.  
Insert the right coin in the corresponding coin insertion slot in the lock so it can be locked.

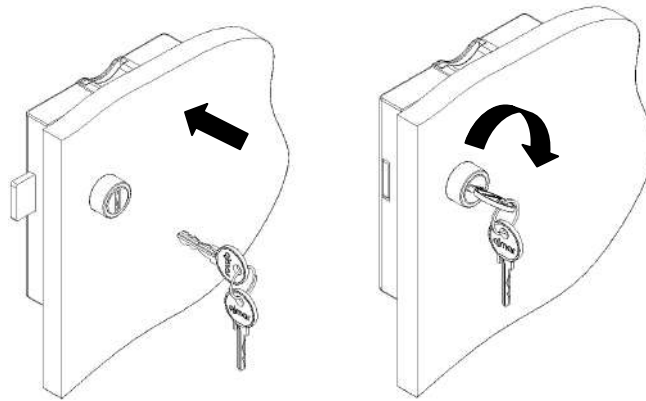


- Close the door
- Close the lock.  
Turn and remove the key from the lock.

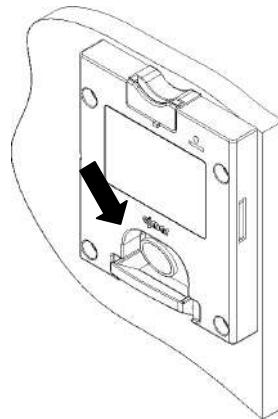


## 2.4. INSTRUCTIONS FOR OPENING THE COIN LOCK

- Insert the key in the lock and turn it to open the lock.

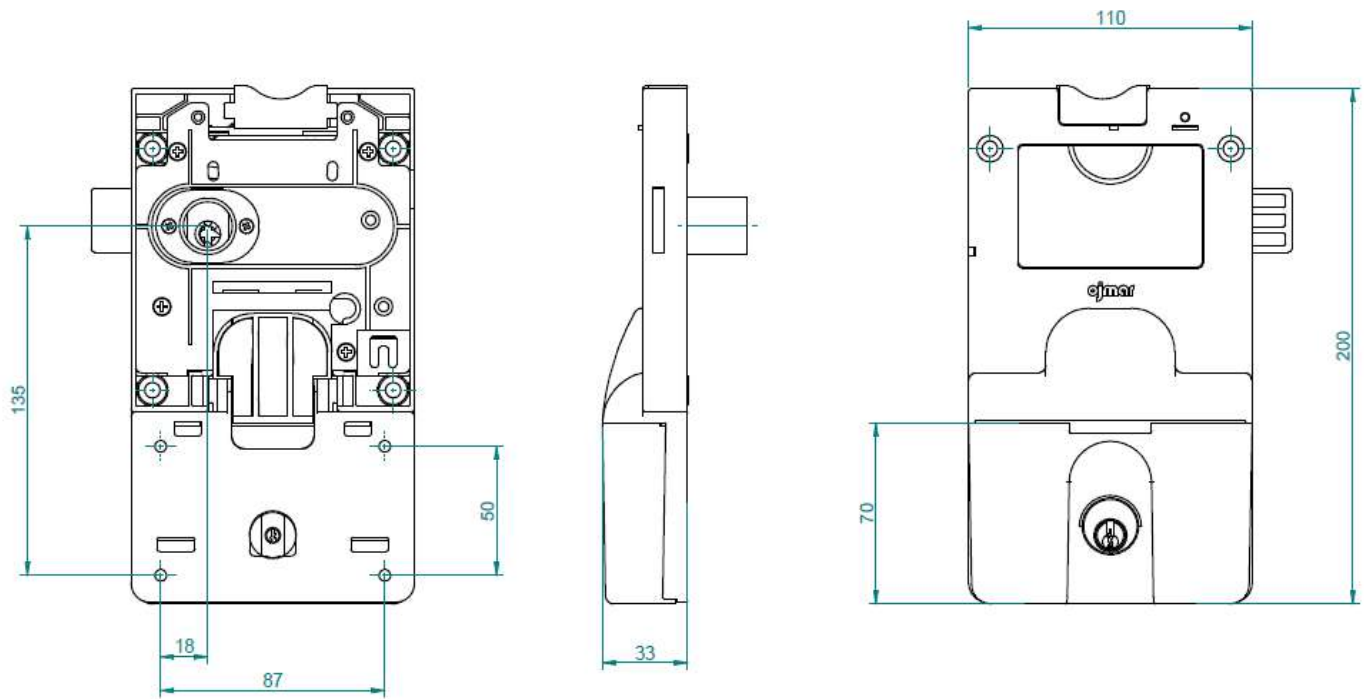


- Open the door
- Recover the coin.  
Take the coin from the tray.



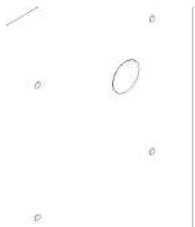
## 2.5. COIN LOCK DEPOSIT BOX

The deposit box can be adapted to any Ojmar coin lock (except card locks). The materials used to manufacture the deposit boxes are corrosion-resistant and are equipped with a lock profile that is different than the lock used on the locks.

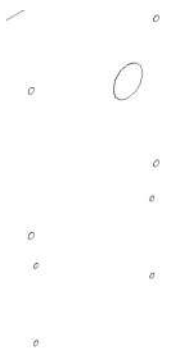


### 2.5.1. Mounting

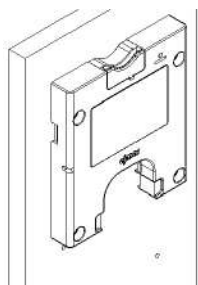
- Drill a  $\varnothing 23$  hole into the door for the lock cylinder and 4 holes for the screws used to fasten the lock on the door.



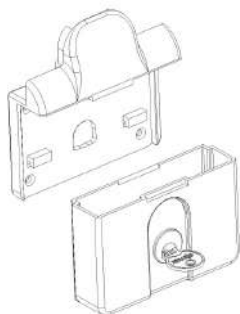
- Drill 4 holes in the door to screw the deposit box onto the door.



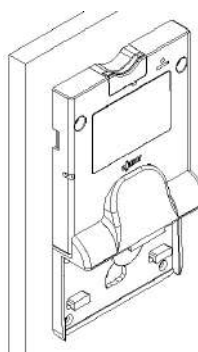
- Fasten the lock on the door with 4 screws.



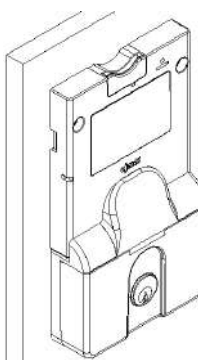
- Insert the key (of the deposit box, not of the lock) into the deposit box and turn it 90° to the right to open the box. Extract the box from its support, pulling upward and outward.



- Fasten the support to the door with 4 DIN 965 M4 countersunk screws. The length of the screws will depend on door thickness.



- Insert the box into the support by pushing it inward and upward. Turn the key 90° to the left to close the box and remove the key.



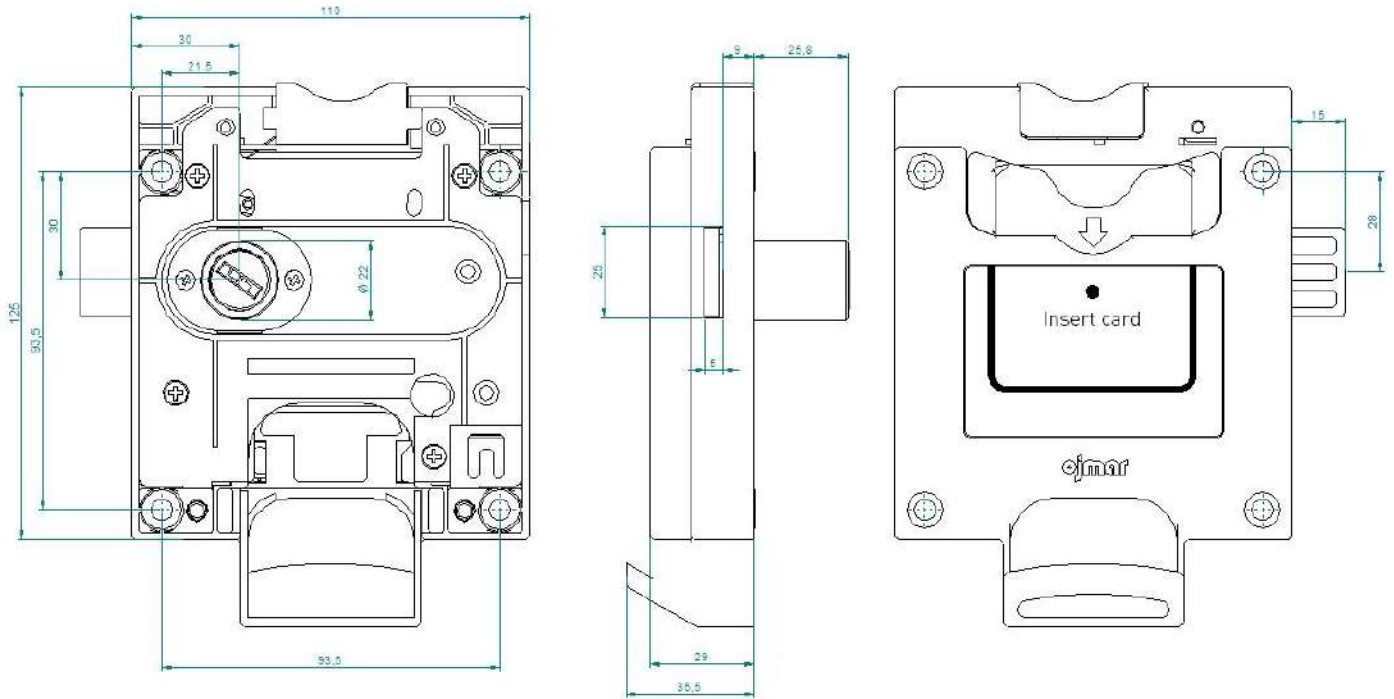
## 3. CARD OR CARD/COIN LOCKS

### 3.1. CARD OR CARD/COIN LOCKS FOR DRY ENVIRONMENTS

#### REF. 74

The Model 74 card lock is designed for dry environment facilities where users have an identification system or card access: schools, gyms, fitness clubs, etc. It provides a sound and reliable solution.

The card/coin solution, which used a card or coin, is also available.

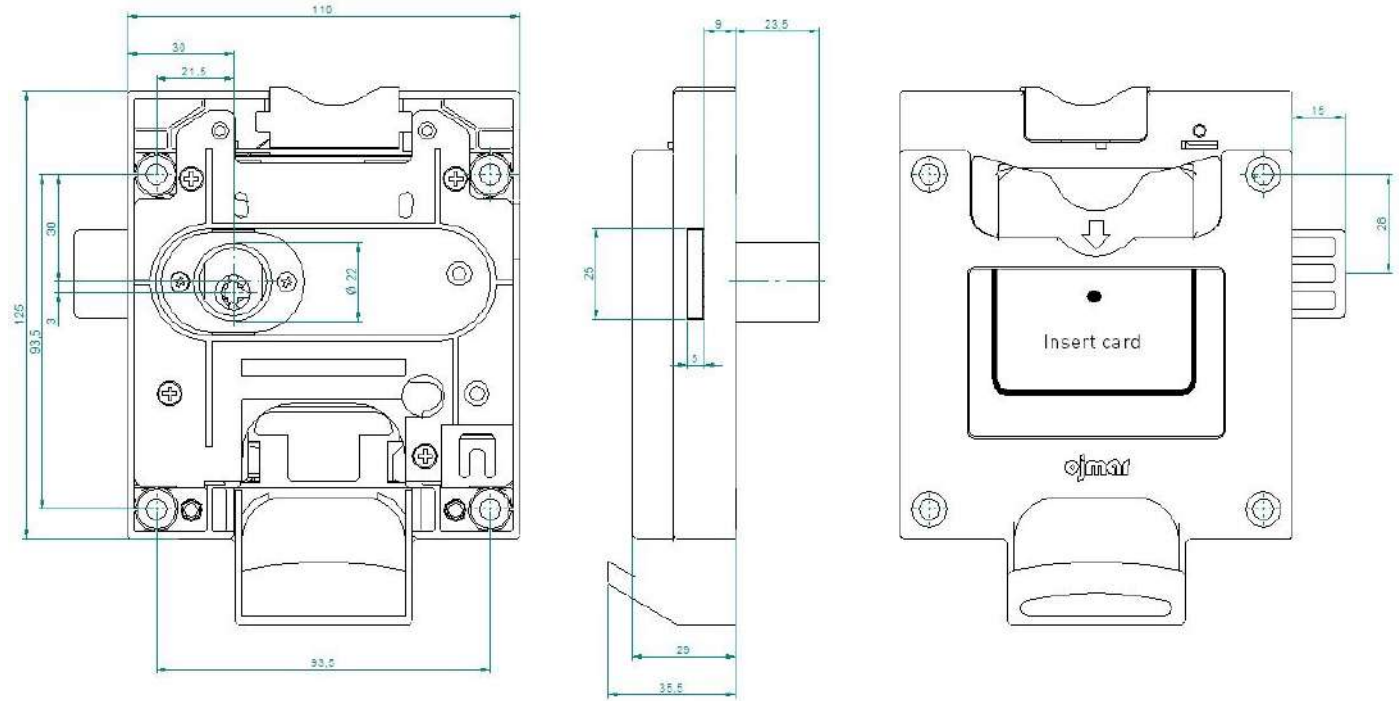


### 3.2. CARD OR CARD/COIN LOCKS FOR HUMID ENVIRONMENTS

#### REF. 75 & 76

The Model 75/76 card lock is designed for humid environment facilities where users have an identification system or card access: schools, gyms, fitness clubs, etc. It provides a sound and reliable solution.

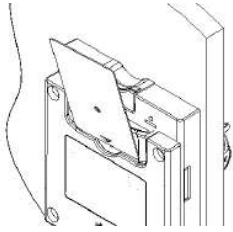
The card/coin solution, which used a card or coin, is also available.



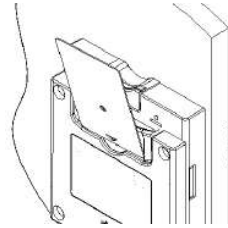
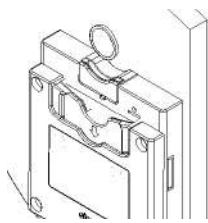


### 3.3. INSTRUCTIONS FOR LOCKING THE CARD OR CARD/COIN LOCK

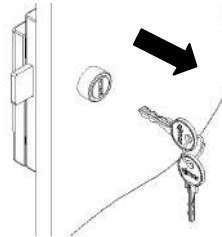
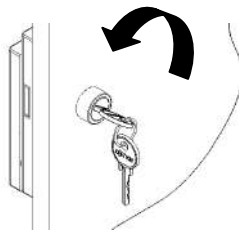
- Open the door.  
Open the door to access the rear of the lock.
- Insert the card or coin in the lock.  
If it is a card lock, insert the card into the lock's entry slot to lock it.



If it is a card or coin lock, insert the card or coin into the corresponding entry slot of the lock to lock it.

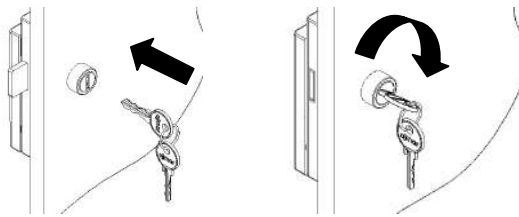


- Close the door
- Close the lock.  
Turn and remove the key from the lock.

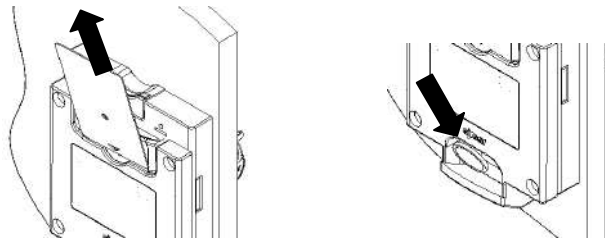


### 3.4 INSTRUCTIONS TO OPEN THE CARD LOCK OR CARD/COIN LOCK

- Insert the key in the lock and turn it to open the lock.



- 
- Open the door
- Recover the card or coin.  
Remove the card or take the coin from the tray, depending on which model is used.

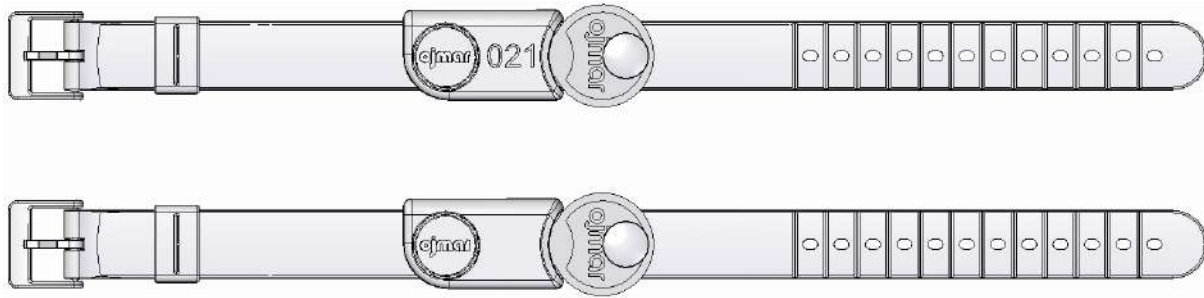


## 4. WRISTBANDS

---

Wristbands valid for both humid and dry environments, with a stainless steel buckle that can be used for any type of key profile.

The closed and adjustable design and materials make it easy and comfortable to wear. It has key protection and a numbering option.





INTELLIGENT LOCKING SYSTEMS

Pol. Ind. Lerun s/n.  
20870 Elgoibar · Spain  
T. +34 943 748484  
[www.ojmar.com](http://www.ojmar.com)

