



INTELLIGENT LOCKING SYSTEMS



OCS PRO®

THE LOCKER LOCK WITH TOUCH TECHNOLOGY

The **OCS®PRO** is the latest generation of touch keypad lock from Ojmar; now with enhanced features, function and style. The **OCS®PRO** is the preferred solution worldwide for references such as Google, Fitness First, Toyota, Virgin Active to name a few. The latest addition to the family the **OCS®PRO**, builds on this heritage and quality making it the obvious choice where design, multiple features and reliability are key.

The **OCS®PRO** is supplied non handed and can be installed as new or retrofit for previous OCS models or locks with similar fixing pattern.



Silver



Graphite



White



MAIN FEATURES & BENEFITS

- **Touch Keypad** – More durable than traditional push button keypads.
- **Extended battery life** – Up to 5 years.
- **Flexible** – Lock can be switched between free or assigned mode.
- **Easy Programming** – By Keypad or EKEY + Software (option).*
- **Easy clean** – Hygienic, wipe clean keypad surface.
- **Sleek design** – With integrated handle (non handle option available).
- **Rated IP56** – High level resistance to water and dust.
- **Finishes** – Available in 3 finishes; Silver, Graphite, White.
- **Low battery warning** – Low battery indicator.
- **Battery override** – External power override for emergency opening.
- **Tamper time out feature** – Lock will time out after 3 incorrect code entries for 10 seconds.

TECHNICAL SPECIFICATION

Power supply	> 4 Alkaline 1.5v AA batteries
Temperature range (functional)	> -10 C° to +42 C°
Battery lifetime	> Up to 5 years
Protection against solid and liquids	> Wet area version: IP56
Protection against mechanical impact	> IK09

PROGRAMMING

Keypad Programming

This is the default method to program the locks. Via the keypad the **OCS®PRO** can, using the Master code:

- > Set free or assigned mode.
- > Change the Master code.
- > Change the User code.
- > Activate / deactivate sounder.
- > Activate / deactivate signal LED.
- > Change User code length: 4,5,6 digits.
- > Set duration of use (free mode lockers).

EKEY + Software

Optional EKEY + Software can be supplied to quickly electronically program the locks and adds additional features as follow:

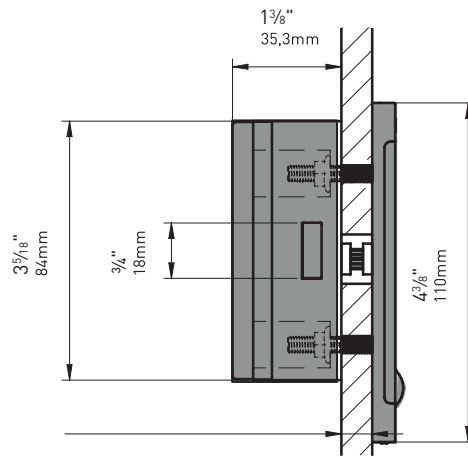
- > Set rental period – Lock can be set to defined rental period eg 1 hour, 8 hours or expiry date (assigned mode).
- > Auto open – Locks can be set to auto open eg at end of day for cleaning or maintenance.
- > Audit trial – A list of last events and uses for different purposes.

EKEY

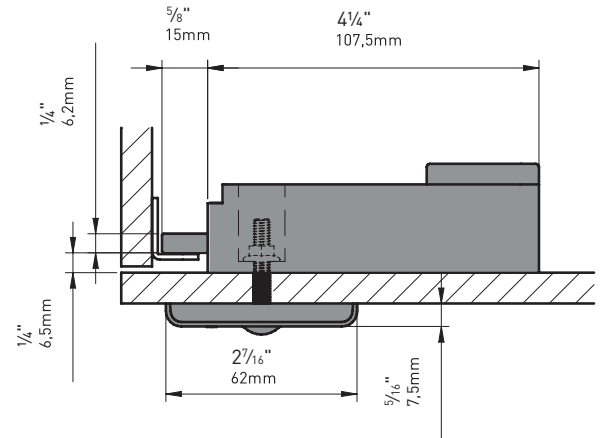
An optional EKEY can be provided to open/close the locks as a master key if required or as ADA key. It also adds a cloning feature.

- > Program from one lock can be downloaded to multiple locks saving time on set up and reprogramming multiple locks.

TECHNICAL DRAWING



Side view

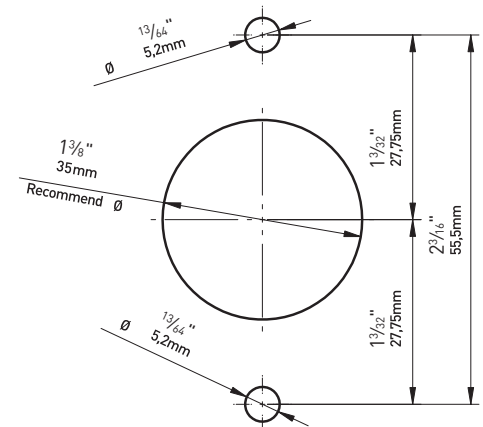


Top view



EKEY – Multifunction EKEY can be configured as:

- > Master Key
- > Audit Key
- > Programming Key
- > ADA Key



Fixing template



INTELLIGENT LOCKING SYSTEMS

CONTACT
E. salesus@ojmar.com
T. 949 419 6776

OJMAR USA
17155 Von Karmen Ave, S111
Irvine CA. 92614 - USA

WEBSITE
www.ojmar.us

DOCUMENT REF: 03/20